

Compression Double Check Valve DZR Brass NRV 05



Features and Benefits

- Double check valves when fitted stop the flow of water in one direction preventing back flow
- DZR Brass body with compression ends for copper pipework
- Eliminates syphonage contamination
- Space saving over 2 single check valves

Versions and Products Codes

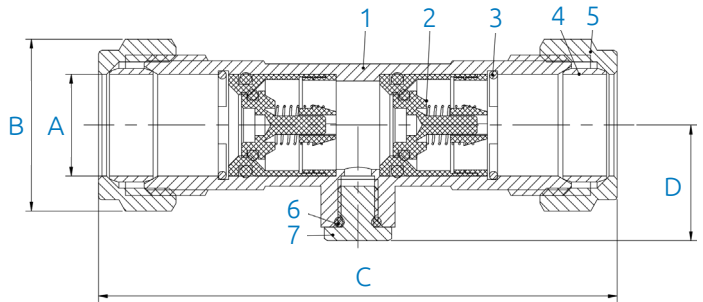
STOCK NO	SIZE A (mm)	B	C	D
30766	15	25.3	77.1	17
30767	22	35	88.6	20
30768	28	41	112.1	24.5

Technical Data

- Fields of Applications: Water
- Max. Working Pressure: PN10
- Operating Temp. Range: -10 to +85°C

Applicable Standards

- Valves are manufactured to: BS6282-1
- Compression connections comply with: EN1254-2
- WRAS approved



Material Specifications

NO	NAME	MATERIAL	QUANTITY	MATERIAL
1	Body	CW602N	1	DZR Brass
2	Non-return core	POM	2	-
3	Catch spring	SUS304	1	-
4	Olive	T2 Copper	2	-
5	Compression nut	HPb59- T	2	NP/Brass
6	O-ring	NBR	1	-
7	Screw	HPb59- T	1	NP/Brass