

Safety Relief Valve

PRE 02



Features and Benefits

- Screwed BSP parallel (ISO 228) or flange connection
- Body gunmetal
- Suitable for gases, liquids and steam
- Fitted with diaphragm to protect spring housing
- Set range 0.5 to 16 bar

Typical Applications

- Pressure vessels
- Mechanical engineering
- Pump protection
- Pressure booster systems water/air-side
- Cooling/chilling systems
- Steam and industrial boiler systems

Dimensions

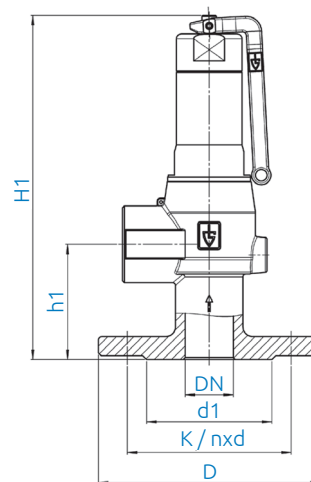
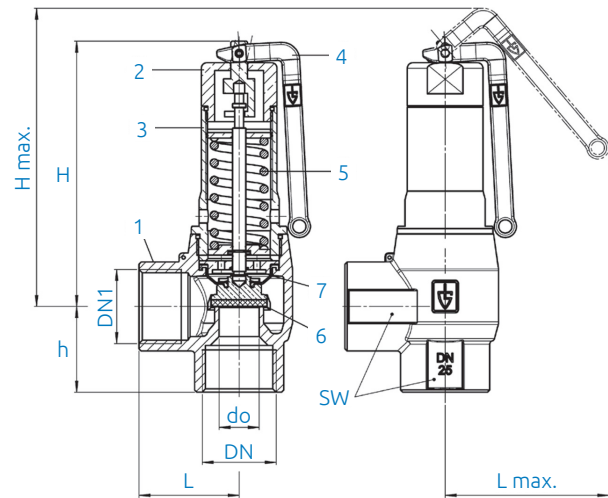
DN	1/2"	3/4"	1"	1 1/4"	1 1/2"	2"	2 1/2"
L	35	42	45	47	58	68	80
Lmax	63	75	78	100	140	150	155
H	90	106	120	150	192	229	275
H1 DIN/ ANSI	-	-	180/180	216/216	265/265	312/312	371/371
Hmax	102	120	133	153	210	252	298
h	28	36	38	37	45	55	65
h1 DIN/ ANSI	-	-	60/60	66/66	73/73	83/83	96/96
DDIN/ ANSI	-	-	115/110	140/115	150/125	165/150	185/180
d1 DIN/ ANSI	-	-	65/50.8	76/63.5	84/73	99/92.1	118/104.8
SW1	27	34	41	50	60	70	90
do	13	15	18	23	30	39	48
K/nxd (DIN)	-	-	85/4x14	100/4x18	110/4x18	125/4x18	145/4x18
K/nxd (ANSI)	-	-	79.4/4x15.9	88.9/4x15.9	98.4/4x15.9	120.7/4x19.1	139.7/4x19.1
kg	0.5	0.8	1.1	1.7	3.3	5.8	8.9
kg _{FLDIN} / FLANSI	-	-	2.0/1.9	3.4/2.9	4.1/3.5	8.4/7.9	12.0/11.8

Technical Data

- Max. Pressure: 16 bar
- Working Temp: EPDM diaphragm -50 to +195°C

Applicable Standards

- ISO 4126-1, PED 2014/68/EU, TRD 421
- Classification - GL, DNV
- ATEX approval available at extra cost
- Test certificate to EN10204-3.1 available on request
- WRAS approved



Material Specifications

NO	NAME	MATERIAL
1	Body	Gunmetal
2	Housing cap	Brass/Gunmetal
3	Spring housing	Brass/Gunmetal
4	Lifting lever	Stainless steel CF8M
5	Spring	Stainless steel 302
6	Seat-seal	PTFE
7	Diaphragm	EPDM