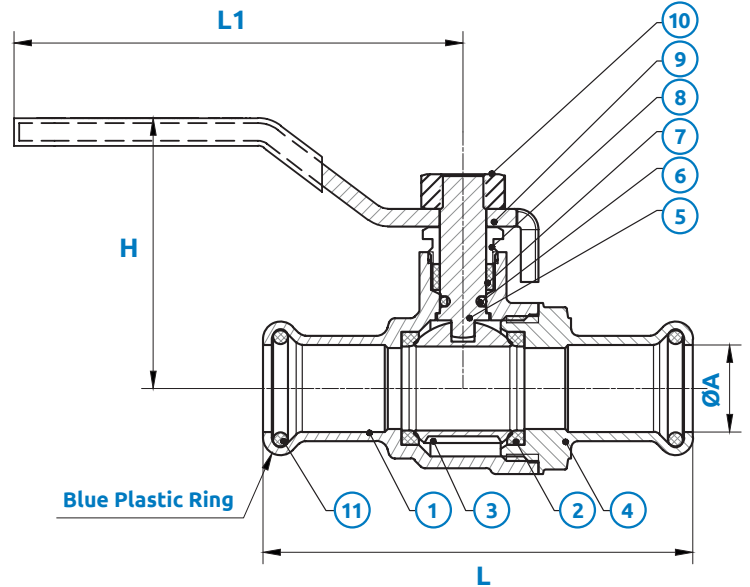


Press Fit DZR Brass Lever Ball Valve (M Profile)



Features and Benefits

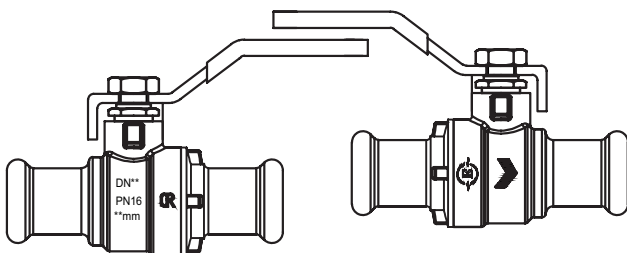
- PTFE Seats and Seams
- EPDM 'O' Ring
- Red & Blue Levers Included
- Can be equipped with a Spindle Extension
- Can be equipped with a Locking Handle

Applicable Standards

- WRAS Approved
- Press-Fit end comply with EN1254-7

Technical Data

- Field of applications: Water
- Pressure Rating: PN16
- Working temperature: -10°C to +100°C
- Full Bore Design
- Press Profile: M Profile



Product Codes and Dimensions

STOCK NO	A (mm)	L (mm)	L1 (mm)	H (mm)
38806	15	74	92	47.5
38807	22	85.5	92	51.5
38808	28	99	115	63.5
38809	35	113.2	115	74.5
38810	42	135	180	84
38811	54	164.5	180	90

Material Specifications

NO	NAME	MATERIAL	QTY	OTHER
1	Body	DZR brass / CW617N	1	Brass Colour / Nickel Plating
2	Ball Seat	PTFE	2	WRAS Approved
3	Ball	Brass / SUS304	1	Chrome Plated
4	Bonnet	DZR brass / CW617N	1	Brass Colour / Nickel Plating
5	Stem	Brass	1	
6	O-Ring	EPDM	2	WRAS Approved
7	Packing	PTFE	1	
8	Lock Nut	Brass	1	Brass Colour / Nickel Plating
9	Handle	Q235 + PVC / AL	2	
10	Nut	SS304	1	
11	O-Ring	EPDM	2	WRAS Approved