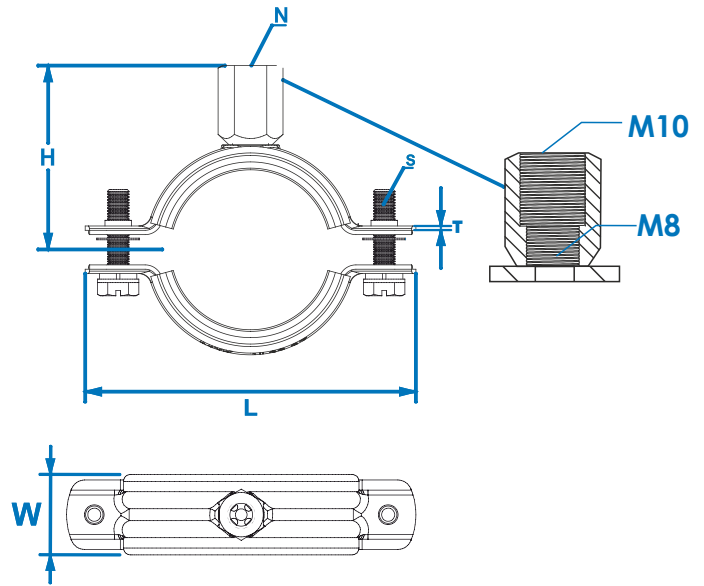


Rubber Lined Pipe Clamps

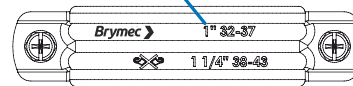


Features and Benefits

- Double screw clamp for efficient installation of all pipe work
- The EPDM rubber installation reduces noise and vibration and also guards against stress due to thermal expansion of pipe
- Dual thread M8/M10
- Electrolytically zinc plated steel
- Plastic anti-loss washer on screws

Product Codes and Dimensions

Clamping range with rubber



Stock No.	Clamping Range (mm)	Steel Pipe Size	Length (L) (mm)	Height (H) (mm)	Sheet (TxW) (mm)	Screw (S)	Nut (N)	Static Load (kN)
04093	13-20	1/4"	54.5	32	1x20	M5	M8/M10	1.3
04094	17-23	3/8"	58.5	34	1x20	M5	M8/M10	1.3
04096	21-26	1/2"	62.5	36	1x20	M5	M8/M10	1.3
04095	26-30	3/4"	68.5	39	1x20	M5	M8/M10	1.3
04099	33-37	1"	76	42.5	1x20	M5	M8/M10	1.3
04100	40-46	1 1/4"	91.5	47	1.2x20	M5	M8/M10	1.6
04101	44-50	1 1/2"	97	50	1.25x20	M6	M8/M10	1.5
04113	50-55		103	52	1.5x20	M6	M8/M10	1
04102	53-59		105	53.5	1.2x20	M5	M8/M10	1.6
04103	60-66	2"	112	57	1.2x20	M5	M8/M10	1.6
04104	62-67		113	58	2x20	M6	M8/M10	1.3
04131	67-77		126	62	1.5x25	M6	M8/M10	2.3
04105	75-84	2 1/2"	134	66	1.5x25	M6	M8/M10	2.3
04132	83-93		142	70	1.5x25	M6	M8/M10	2.3
04106	87-96	3"	145	71.5	1.5x25	M6	M8/M10	2.3
04107	98-108		156	74	1.75x23	M6	M8/M10	2.5
04108	109-119	4"	170	84	1.5x25	M6	M8/M10	2.3
04109	122-135		184	90.5	2x25	M6	M8/M10	2.6
04110	128-139		190	93.5	2x25	M6	M8/M10	2.6
04111	135-148	5"	197	97	2x25	M6	M8/M10	2.6
04112	158-170	6"	222	109.5	2x25	M6	M8/M10	2.6
04133	165-168		226	107	2.5x20	M6	M8/M10	2.1
04134	194-205		257	127	2x25	M6	M8/M10	2.6