

# Stop Cock WRAS Approved - Compression



## Features and Benefits

- Brass body with compression ends
- For use with copper pipework systems
- WRAS Approved

## Applicable Standards

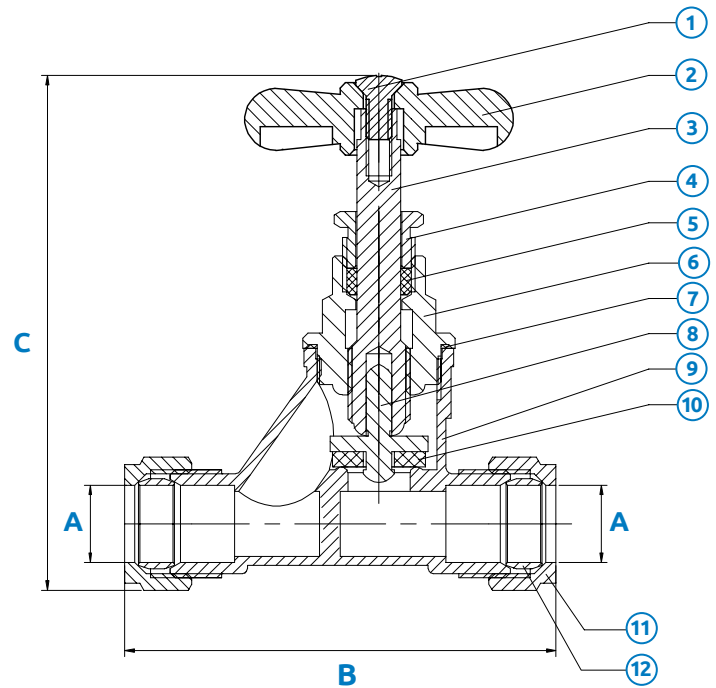
- Valves are manufactured to: EN1213
- Compression connections comply with: EN1254-2
- WRAS approved

## Product Codes and Dimensions

STOCK NO	A (mm)	B (mm)	C (mm)
36384	15	77.2	86
36385	22	102.5	101.5
36386	28	106.3	102.5

## Technical Data

- Suitable for Copper pipework systems
- Max. Working Pressure: 16 bar (<30°C); 10 BAR (30-85°C)
- Operating Temp: -10 ~ +85°C



## Material Specifications

NO	NAME	MATERIAL	QUANTITY
1	Screw	HPb59- T	1
2	Handle	HPb59- T	1
3	Stem	HPb59- T	1
4	Lock Nut	HPb59- T	1
5	Packing	PTFE	1
6	Bonnet	HPb59- T	1
7	Sealing Gasket	PTFE	1
8	Seat	HPb59- T	1
9	Body	HPb59- T	1
10	Rubber Gasket	EPDM	1
11	Compression Nut	HPb59- T	2
12	Olive	T2	2