

Technical Data Sheet

Astro X Series CE Pipe Wrap

Revision 17 - 15th February 2022





ETA - 20-1116		
> Technical Data	General Product Description	> Page 1
> Technical Data	Intended Use	> Page 1
> Technical Data	Flexible walls	> Page 1
> Technical Data	Rigid walls	> Page 1
> Technical Data	Rigid floor	> Page 1-3
> Technical Data	Astro X Series CE Pipe Wrap EN 1366-3 For a flexible wall system	> Page 4
> Technical Data	Astro X Series CE Pipe Wrap EN 1366-3 For a rigid wall system	> Page 5
> Technical Data	PVC-U pipes with Astro X Series CE Pipe Wrap fixed to both sides of flexible or rigid wall	> Page 6
> Technical Data	PP pipes with Astro X Series CE Pipe Wrap fixed to both sides of flexible or rigid wall	> Page 7
> Technical Data	PE pipes with Astro X Series CE Pipe Wrap fixed to both sides of flexible or rigid wall	> Page 8
> Technical Data	Astro X Series CE Pipe Wrap EN 1366-3 For a floor system	> Page 9
> Technical Data	PVC-U pipes with Astro X Series CE Pipe Wrap fixed to the underside of rigid floor	> Page 10
> Technical Data	PP pipes with Astro X Series CE Pipe Wrap fixed to the underside of rigid floor	> Page 11
> Technical Data	HDPE pipes with Astro X Series CE Pipe Wrap fixed to the underside of rigid floor	> Page 12
> Technical Data	Astro X Series CE Pipe Wrap EN 1366-3 In a Astro Batt For a Flexible Wall System	> Page 13
> Technical Data	Astro X Series CE Pipe Wrap EN 1366-3 In a Astro Batt Patress for a Flexible Wall System	> Page 14

General Product Description

Astro X Series CE Pipe Wrap are designed and tested to seal service penetration apertures containing plastic and metallic pipes, pipes with insulation, using thermoplastic composites based on graphite Intumescent technology. Developed to provide a high volume expansion and pressure seal during a fire. The Astro X Series CE Pipe Wrap offers EI120 tested to EN1366-3, the maximum diameter being 250mm, the ultra thin design of Astro X Series CE Pipe Wrap ensuring that they can be installed in to the tightest of locations.

Astro X Series CE Pipe Wrap can be installed in flexible wall, rigid wall, rigid floor constructions and in Batt seals. They are compatible with polypropylene (PP), polyethylene (PE) and polyvinylchloride (PVC) pipes.

Astro X Series CE Pipe Wrap is used around combustible pipes to form a penetration seal used to reinstate the fire resistance performance of wall and floor constructions, where they have been provided with apertures for the penetration of combustible pipe services.

Astro X Series CE Pipe Wrap include an intumescent component incorporated into a lightweight PVC carrier bag to close any gaps and joints and provide a closure of combustible pipes when heated and to prevent the passage of fire.

Astro X Series CE Pipe Wrap are supplied in assembled form. The intumescent in the wrap is contained within a lightweight PVC carrier bag and is installed around the pipe at the soffit or both faces of walls, depending on. Fixing details are provided in annex A.

The applicant has submitted a written declaration that the product and/or constituents of the product contains no substances which have been classified as dangerous according to Directive 67/548/EEC and Regulation (EC) No. 1272/2008 and listed in the 'indicative list on dangerous substances' of the EGDS – taking into account the installation conditions of the construction product and the release scenarios resulting from there.

In addition to the specific clauses relating to dangerous substances contained in this European Technical Assessment, there may be other requirements applicable to the products falling within its scope (e.g. transposed European legislation and national laws, regulations and administrative provisions). In order to meet the provisions of the Construction Products Regulation, these requirements need also to be complied with, when and where they apply.

The use category of Astro X Series CE Pipe Wrap in relation to BWR 3 (Hygiene, health and environment) is IA1, S/W3.

External use- ETAG 026-2 (used as European Assessment Document EAD) Type X: Intended for use in conditions exposed to weathering.

Specification Of The Intended Use In Accordance With The Relevant EAD

Intended Use

The intended use of Astro X Series CE Pipe Wrap is to reinstate the fire resistance performance of wall and floor constructions, where they are penetrated by various combustible pipe services.

The specific elements of construction that the system Astro X Series CE Pipe Wrap may be used is as follows:

Flexible walls:

The wall must have a minimum thickness of 100 mm and comprise timber or steel studs line on both faces with minimum 2 layers of 12.5 mm thick, 'Type F' Gypsum boards according to EN 520. In timber stud walls, no part of the penetration seal shall be closer than 100mm to a stud, and minimum 100 mm of insulation of class A1 or A2 according to EN 13501-1, is provided within the cavity between the penetration seal and the stud.

Rigid walls:

The wall must have a minimum thickness of 100 mm and comprise of concrete, aerated concrete or masonry, with a minimum density of 650 km/m³.

Rigid floor:

The floor must have a minimum thickness of 150 mm and comprise of concrete, aerated concrete or masonry, with a minimum density of 650 km/m³.

****Where relevant Non combustible fixings are to be used in line with test data to secure the product to the relevant substrate. Please contact us for further details.****

The supporting construction must be classified in accordance with EN 13501-2 for the required fire resistance period.

The system Astro X Series CE Pipe Wrap may be used to provide a penetration seal with specific combustible pipes, single only.

Apertures in the separating element shall be maximum 10 mm diameter oversize with respect to the pipe diameter. The remaining annular space/gap shall be infilled with Astro Intu Mastic for the purpose of providing a smoke seal. Apertures for the penetration of pipes shall be separated by a minimum of 200 mm.

The provisions made in this European Technical Assessment are based on an assumed working life of the system Astro X Series CE Pipe Wrap of 10 years, The indications given on the working life cannot be interpreted as a guarantee given by the producer, but are to be regarded only as a means for choosing the right products in relation to the expected economically reasonable working life of the works.

Type X: Intended for use out door and indoor or in conditions exposed to weathering -20 to +70.

Performance Of The Product And References To The Methods Used For Its Assessment

Product Type: Wrap		Intended use: Pipe Closure Device
Basic requirement for construction work	Basic Requirement	Performance
BWR 1 Mechanical resistance and stability		
	None	Not relevant
BWR 2 Safety in case of fire		
EN 1350-1	Reaction to fire	Class E
EN 13501-2	Resistance to fire	Annex A
BWR 3 Hygiene, Health and the Environment		
EN 1026:2000	Air permeability	No performance determined
ETAG 026-3 Annex C	Water permeability	No performance determined
Declaration by manufacturer	Release of dangerous substances	Use category IA1, S/W3 Declaration of manufacturer
BWR 4 Safety in use		
EOTA TR 001:2003	Mechanical resistance and stability	No performance determined
EOTA TR 001:2003	Resistance to impact / movement	No performance determined
EOTA TR 001:2003	Adhesion	No performance determined
BWR 5 Protection against noise		
EN 10140-2/ EN ISO 717-1	Airborne sound insulation	No performance determined
BWR 6 Energy, Economy and Heat Retention		
EN 12664, EN 12667 or EN 12939	Thermal properties	No performance determined
EN ISO 12572 EN 12086	Water vapour permeability	No performance determined

General aspects relating to fitness for use		
EOTA TR 024: 2009	Durability and serviceability	X

Assessment And Verification Of Constancy Of Performance (Hereinafter AVCP) System Applied, With References To Its Legal base

According to the decision 1999/454/EC of the European Commission the system of assessment and verification of constancy of performance (see Annex V to the Regulation (EU) No 305/2011) given in the following table apply:

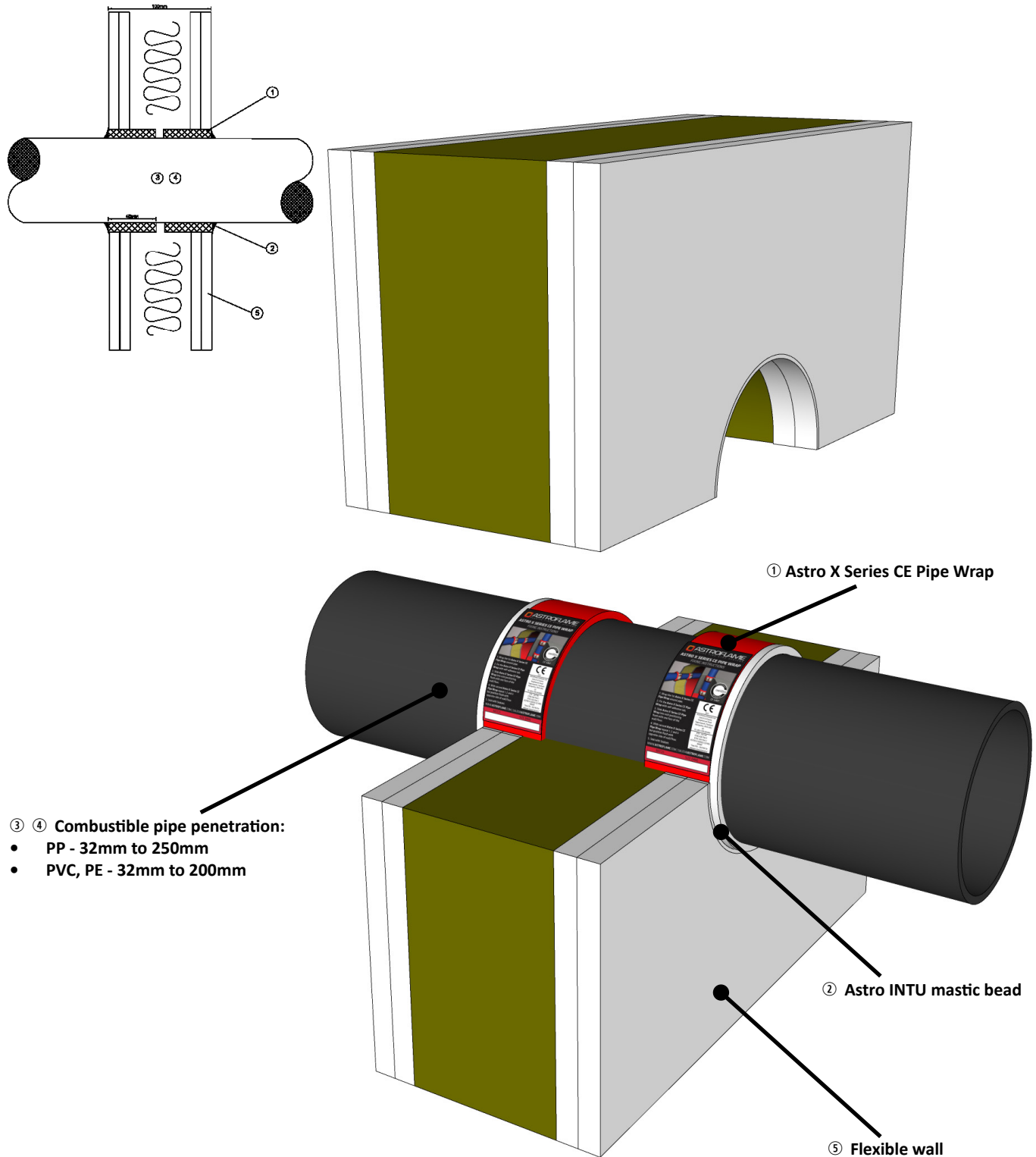
Products	Intended uses	Level or Class	System
Fire stopping and fire sealing products	For fire compartmentation and / or fire protection or fire performance	Any	System 1

Technical Details Necessary For The Implementation Of The AVCP System, As Provided For In The Applicable EAD.

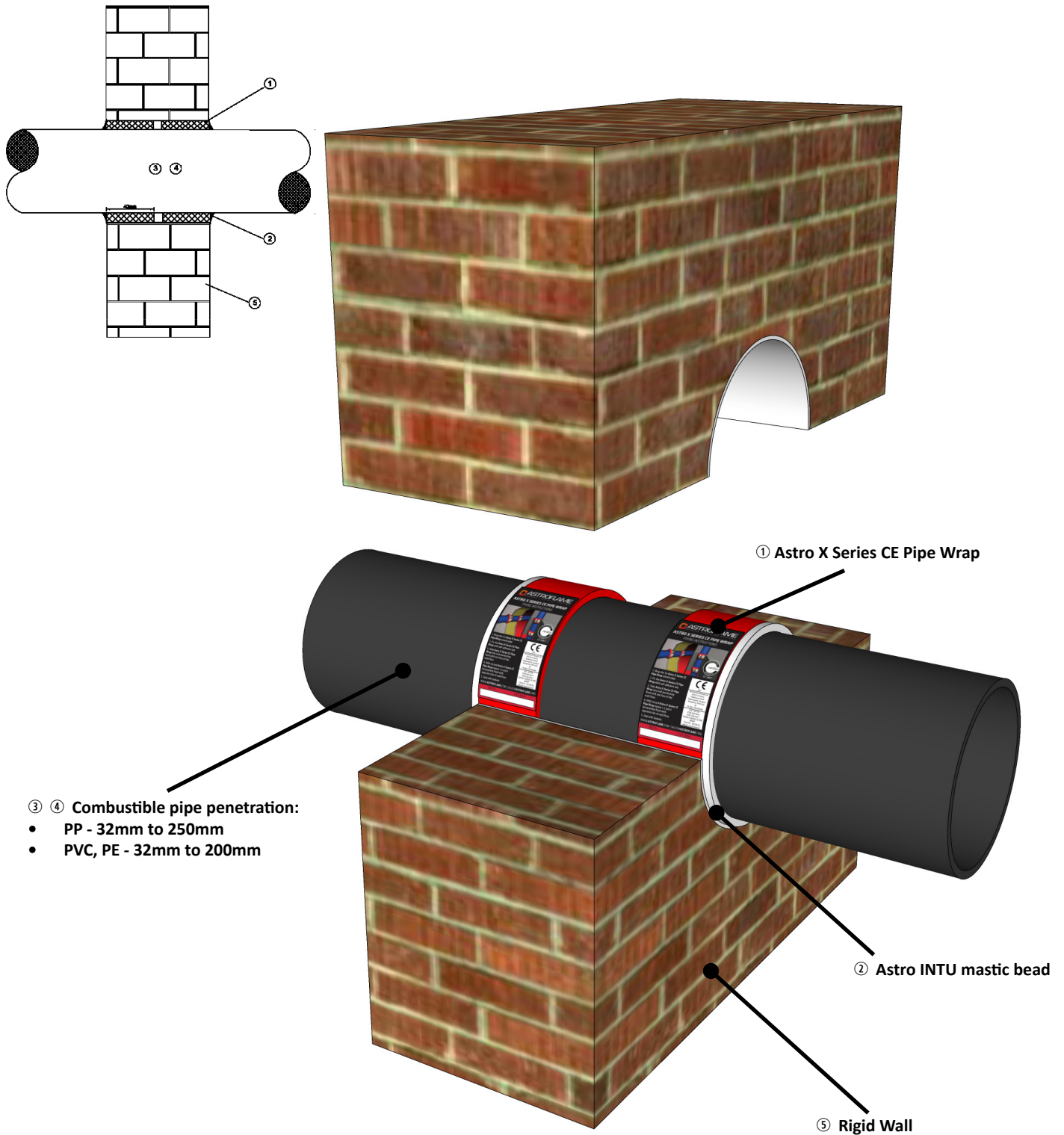
Wall construction with thickness of minimum 100 mm Penetration seal with Astro X Series CE Pipe Wrap fixed to both sides of flexible or rigid wall

Construction details: Combustible pipes fitted with a single Astro X Series CE Pipe Wrap to both sides. Maximum 10 mm annular space filled with Astro Intu Mastic.

ASTRO X SERIES CE PIPE WRAP EN 1366-3 FOR A FLEXIBLE WALL SYSTEM



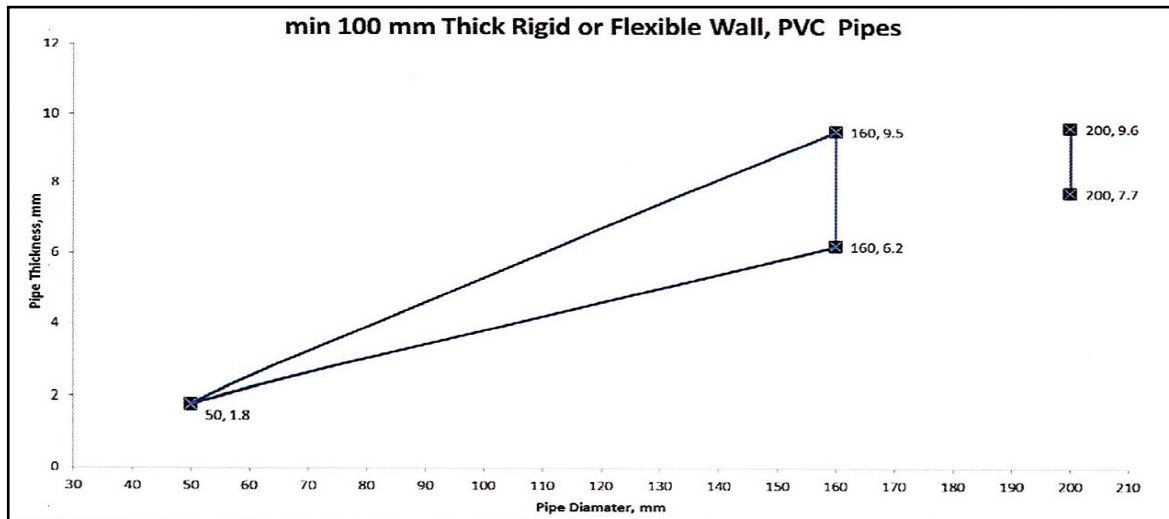
ASTRO X SERIES CE PIPE WRAP EN 1366-3 FOR A RIGID WALL SYSTEM



PVC-U pipes with Astro X Series CE Pipe Wrap fixed to both sides of flexible or rigid wall

PVC-U pipes according to EN 1452 with Astro X Series CE Pipe Wrap.

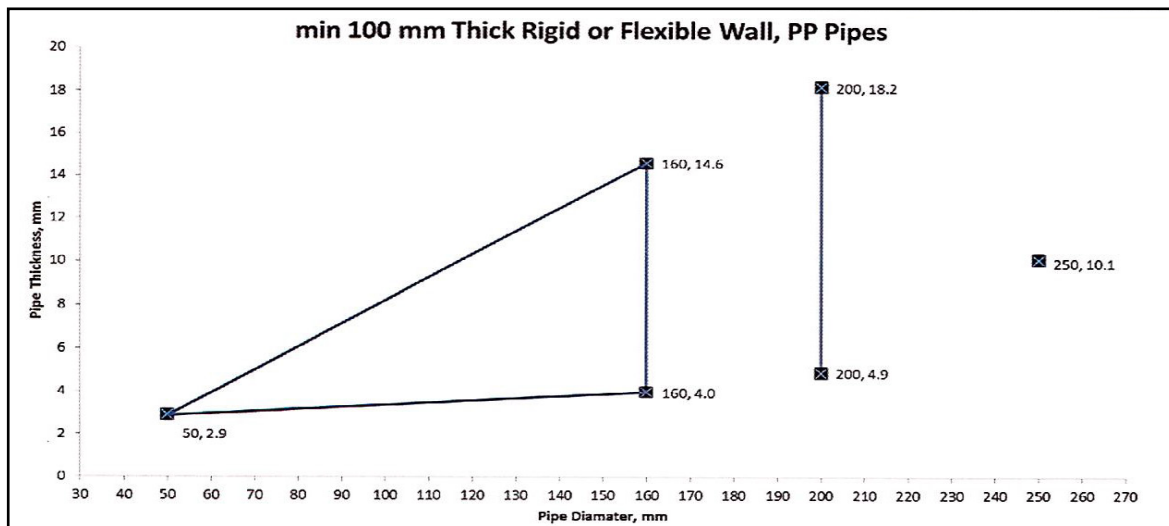
Astro X Series CE Pipe Wrap, Friction Fitted Flush to Both Sides of Flexible Wall or Rigid (min 100 mm thick) PVC Pipes				
Penetration Specification	Wrap Reference	Intumescent Material	Annulus Space (mm)	Classification
PVC Pipe 32mm ϕ 1.8mm wall thickness	32mm	40 mm (W) x 2 mm (T)	4	EI 120 U/C
PVC Pipe 40mm ϕ 1.8mm wall thickness	40mm			
PVC Pipe 50mm ϕ 1.8mm wall thickness	50mm			
PVC Pipe 160 mm ϕ 6.2mm wall thickness	160mm	40 mm (W) x 8 mm (T)	10	EI 90 U/C
PVC Pipe 160 mm ϕ 9.5mm wall thickness	160mm			
PVC Pipe 200 mm ϕ 7.7mm wall thickness	200mm	40 mm (W) x 10 mm (T)	12	EI 120 U/C
PVC Pipe 200 mm ϕ 9.6mm wall thickness	200mm			



PP pipes with Astro X Series CE Pipe Wrap fixed to both sides of flexible or rigid wall

PP pipes according to EN 1451 with Astro X Series CE Pipe Wrap

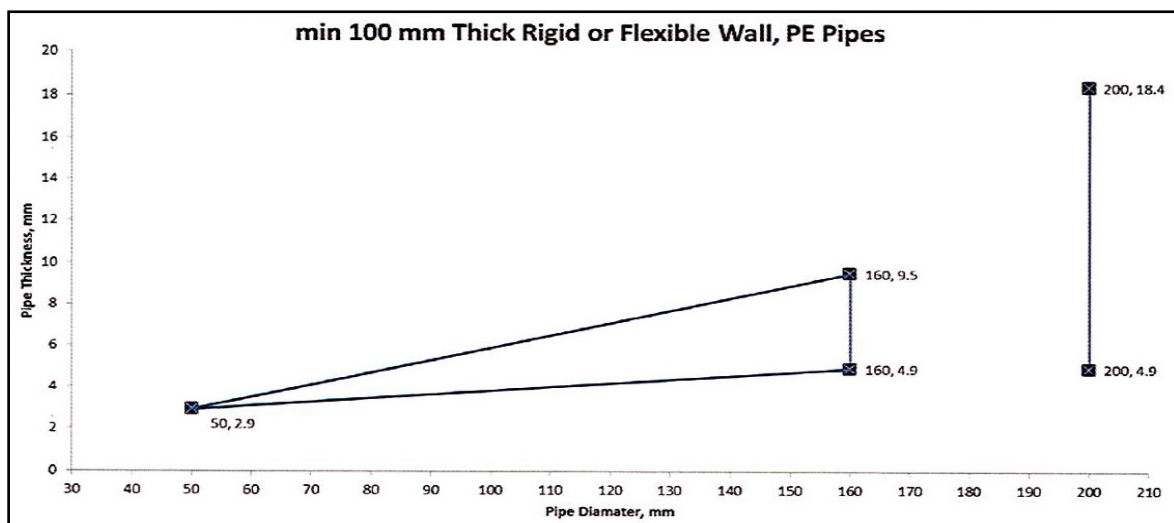
Astro X Series CE Pipe Wrap, Friction Fitted Flush to Both Sides of Flexible Wall or Rigid (min 100 mm thick) PP Pipes				
Penetration Specification	Wrap Reference	Intumescent Material	Annulus Space (mm)	Classification
PP Pipe 50 mm ϕ 2.9 mm wall thickness	50 mm Astro X Series CE Pipe Wrap	40 mm (W) x 4 mm (T)	4	EI 120 U/C
PP Pipe 160 mm ϕ 4.0 mm wall thickness	160 mm Astro X Series CE Pipe Wrap	40 mm (W) x 8 mm (T)	10	E 120 U/C EI 90 U/C
PP Pipe 160 mm ϕ 14.6 mm wall thickness	160 mm Astro X Series CE Pipe Wrap			EI 120 U/C
PP Pipe 200 mm ϕ 4.9 mm wall thickness	200 mm Astro X Series CE Pipe Wrap	40 mm (W) x 10 mm (T)	12	E 120 U/C EI 90 U/C
PP Pipe 200 mm ϕ 18.2 mm wall thickness	200 mm Astro X Series CE Pipe Wrap			EI 120 U/C
PP Pipe 250 mm ϕ 10.1 mm wall thickness	250 mm Astro X Series CE Pipe Wrap	40 mm (W) x 14 mm (T)	14	E 120 U/C EI 20 U/C



PE pipes with Astro X Series CE Pipe Wrap fixed to both sides of flexible or rigid wall

PE pipes according to DIN 8047/8075 and EN ISO 15494 with Astro X Series CE Pipe Wrap.

Astro X Series CE Pipe Wrap, Friction Fitted Flush to Both Sides of Flexible Wall or Rigid (min 100 mm thick) PE Pipes				
Penetration Specification	Wrap Reference	Intumescent Material	Annulus Space (mm)	Classification
PE Pipe 50 mm ϕ 2.9 mm wall thickness	50 mm Astro X Series CE Pipe Wrap	40 mm (W) x 4 mm (T)	4	EI 120 U/C
PE Pipe 160 mm ϕ 4.9 mm wall thickness	160 mm Astro X Series CE Pipe Wrap	40 mm (W) x 8 mm (T)	10	EI 15 U/C
PE Pipe 160 mm ϕ 9.5 mm wall thickness	160 mm Astro X Series CE Pipe Wrap			EI 90 U/C
PE Pipe 200 mm ϕ 4.9 mm wall thickness	200 mm Astro X Series CE Pipe Wrap	40 mm (W) x 10 mm (T)	12	EI 15 U/C
PE Pipe 200 mm ϕ 18.4 mm wall thickness	200 mm Astro X Series CE Pipe Wrap			EI 120 U/C



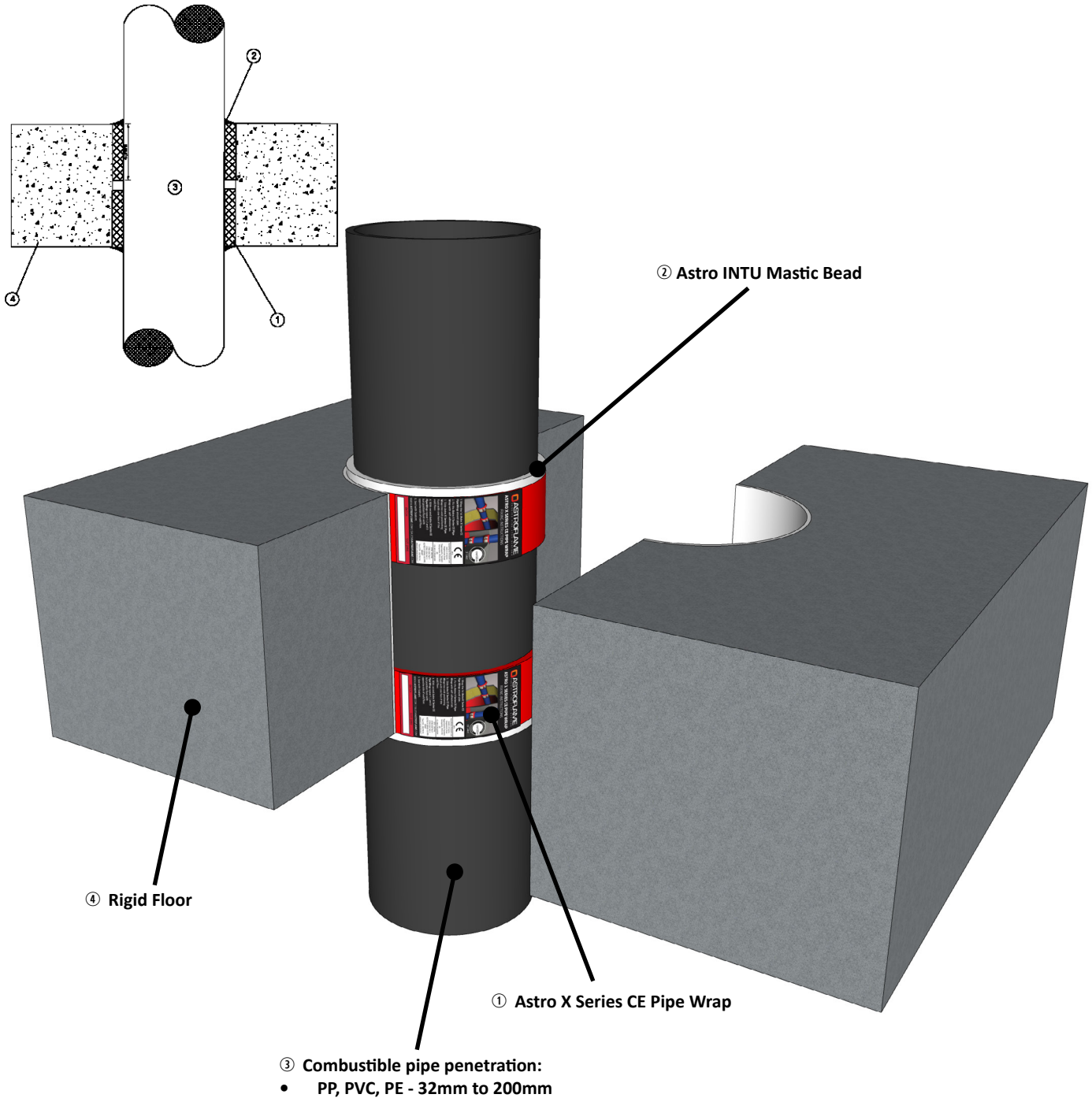
Resistance to Fire Classification of Astro X Series CE Pipe Wrap

Floor construction with thickness of minimum 150 mm

Penetration seal with Astro X Series CE Pipe Wrap fixed to both sides of rigid floor

Construction details: Combustible pipes fitted with a single Astro X Series CE Pipe Wrap to both sides. Maximum 10 mm annular space filled with Astro Intu Mastic.

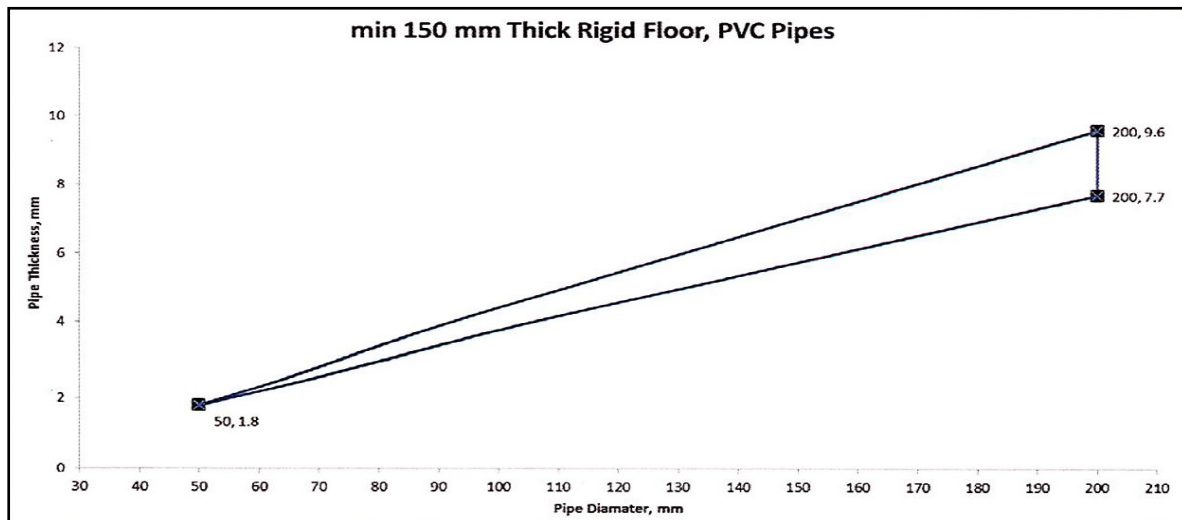
ASTRO X SERIES CE PIPE WRAP EN 1366-3 FOR A RIGID FLOOR SYSTEM



PVC-U pipes with Astro X Series CE Pipe Wrap fixed to both sides of rigid floor

PVC-U pipes according to EN 1452 with Astro X Series CE Pipe Wrap.

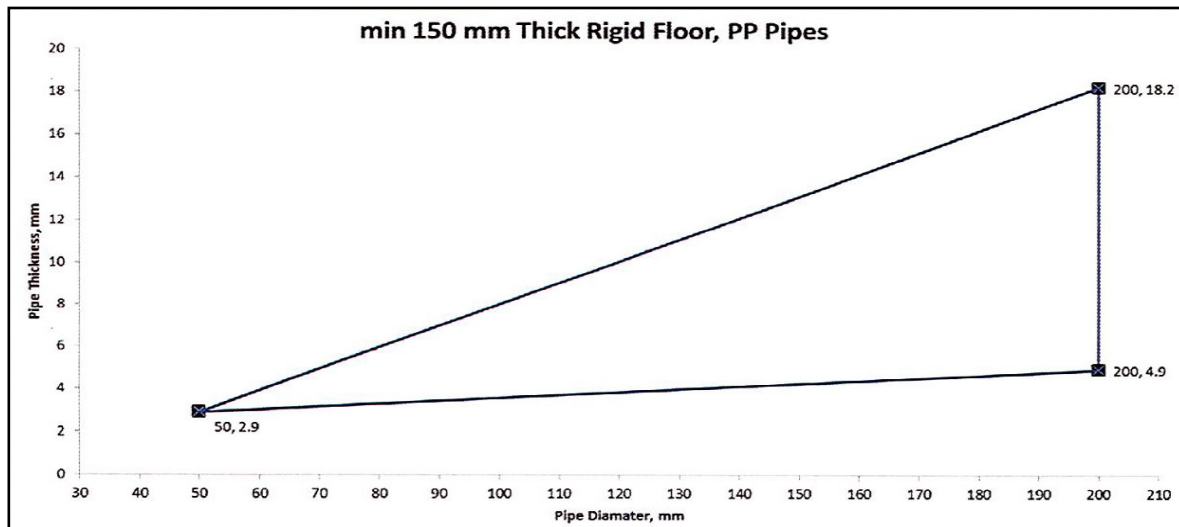
Astro X Series CE Pipe Wrap, Friction Fitted Flush to Both Sides of Rigid Floor (min 150 mm thick) PVC Pipes				
Penetration Specification	Wrap Reference	Intumescent Material	Annulus Space (mm)	Classification
PVC Pipe 50 mm ϕ 1.8 mm wall thickness	50 mm Astro X Series CE Pipe Wrap	1 Layer of 40 mm (W) x 2 mm (T) 1 Layer of 40 mm (W) x 2 mm (T) Combined Thickness 40 mm (W) x 4 mm (T)	4	EI 120 U/C
PVC Pipe 200 mm ϕ 7.7 mm wall thickness	200 mm Astro X Series CE Pipe Wrap	40 mm (W) x 10 mm (T)	12	EI 120 U/C
PVC Pipe 200 mm ϕ 9.6 mm wall thickness	200 mm Astro X Series CE Pipe Wrap			EI 60 U/C



PP pipes with Astro X Series CE Pipe Wrap fixed to both sides of rigid floor

PP pipes according to EN 1451 with Astro X Series CE Pipe Wrap.

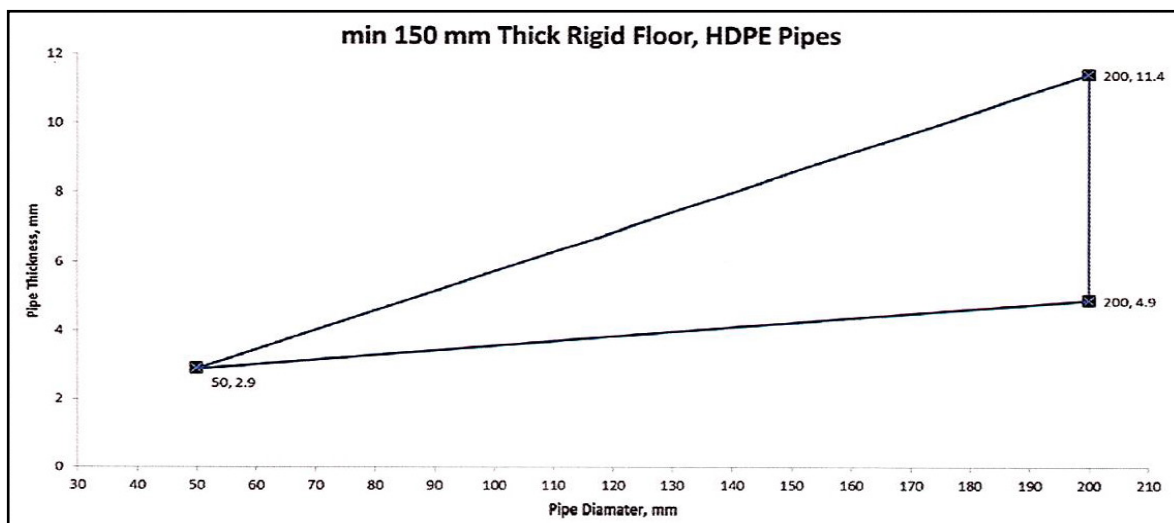
Astro X Series CE Pipe Wrap, Friction Fitted Flush to Both Sides of Rigid Floor (min 150 mm thick) PP Pipes				
Penetration Specification	Wrap Reference	Intumescent Material	Annulus Space (mm)	Classification
PP Pipe 50 mm ϕ 2.9 mm wall thickness	50 mm Astro X Series CE Pipe Wrap	1 Layer of 40 mm (W) x 2 mm (T) 1 Layer of 40 mm (W) x 2 mm (T) Combined Thickness 40 mm (W) x 4 mm (T)	4	EI 120 U/C
PP Pipe 200 mm ϕ 4.9 mm wall thickness	200 mm Astro X Series CE Pipe Wrap	40 mm (W) x 10 mm (T)	10	E 20 U/C EI 15 U/C
PP Pipe 200 mm ϕ 18.2 mm wall thickness	200 mm Astro X Series CE Pipe Wrap			E 120 U/C EI 90 U/C



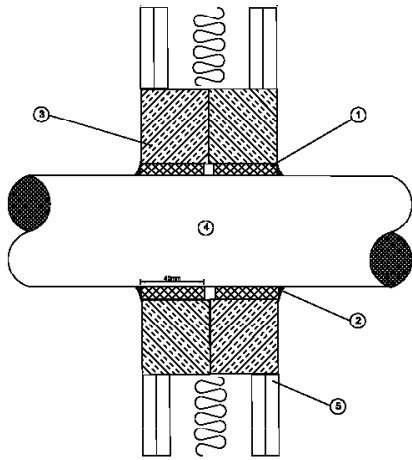
HDPE pipes with Astro X Series CE Pipe Wrap fixed to both sides of rigid floor

HDPE pipes according to DIN 8047/8075 and EN1519 with Astro X Series CE Pipe Wrap.

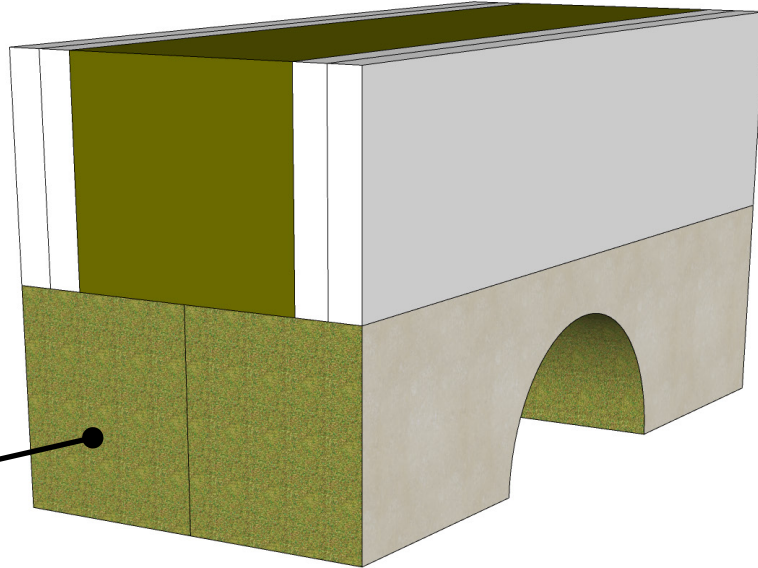
Astro X Series CE Pipe Wrap, Friction Fitted Flush to Both Sides of Rigid Floor (min 150 mm thick) HDPE Pipes				
Penetration Specification	Wrap Reference	Intumescent Material	Annulus Space (mm)	Classification
HDPE Pipe 50 mm ϕ 2.9 mm wall thickness	50 mm Astro X Series CE Pipe Wrap	1 Layer of 40 mm (W) x 2 mm (T) 1 Layer of 40 mm (W) x 2 mm (T) Combined Thickness 40 mm (W) x 4 mm (T)	4	EI 120 U/C
HDPE Pipe 200 mm ϕ 4.9 mm wall thickness	200 mm Astro X Series CE Pipe Wrap	40 mm (W) x 10 mm (T)	12	EI 120 U/C
HDPE Pipe 200 mm ϕ 11.4 mm wall thickness	200 mm Astro X Series CE Pipe Wrap			EI 120 U/C



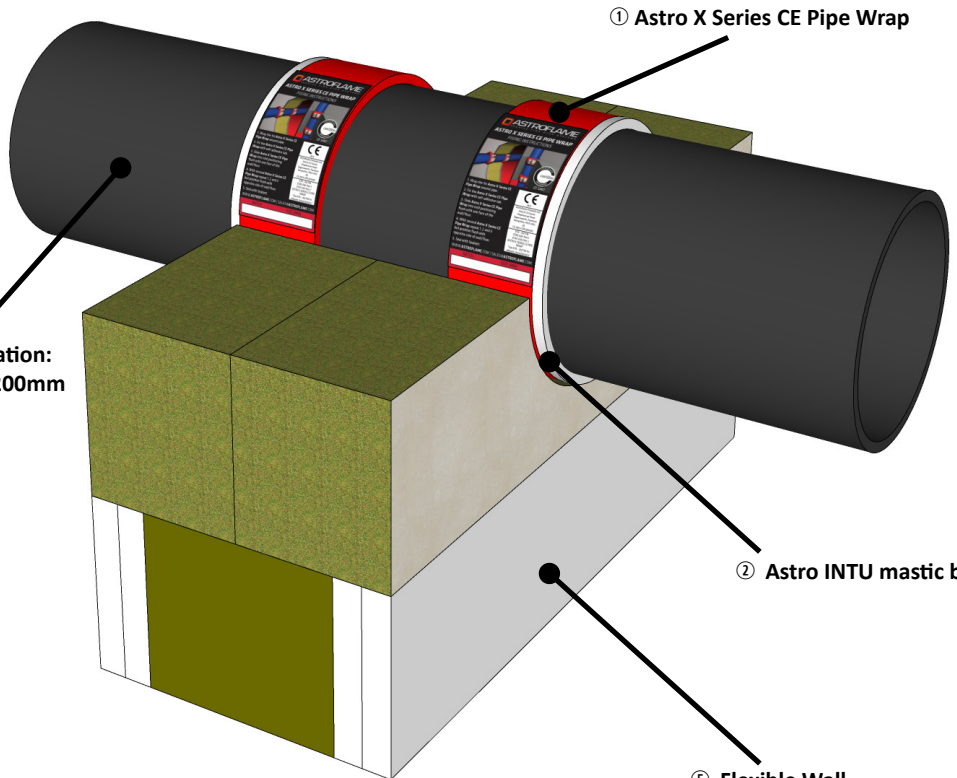
ASTRO X SERIES CE PIPE WRAP EN 1366-3 IN A ASTRO BATT FOR A FLEXIBLE WALL SYSTEM



③ Astro Batt 50mm



④ Combustible pipe penetration:
• PP, PVC, PE - 32mm to 200mm

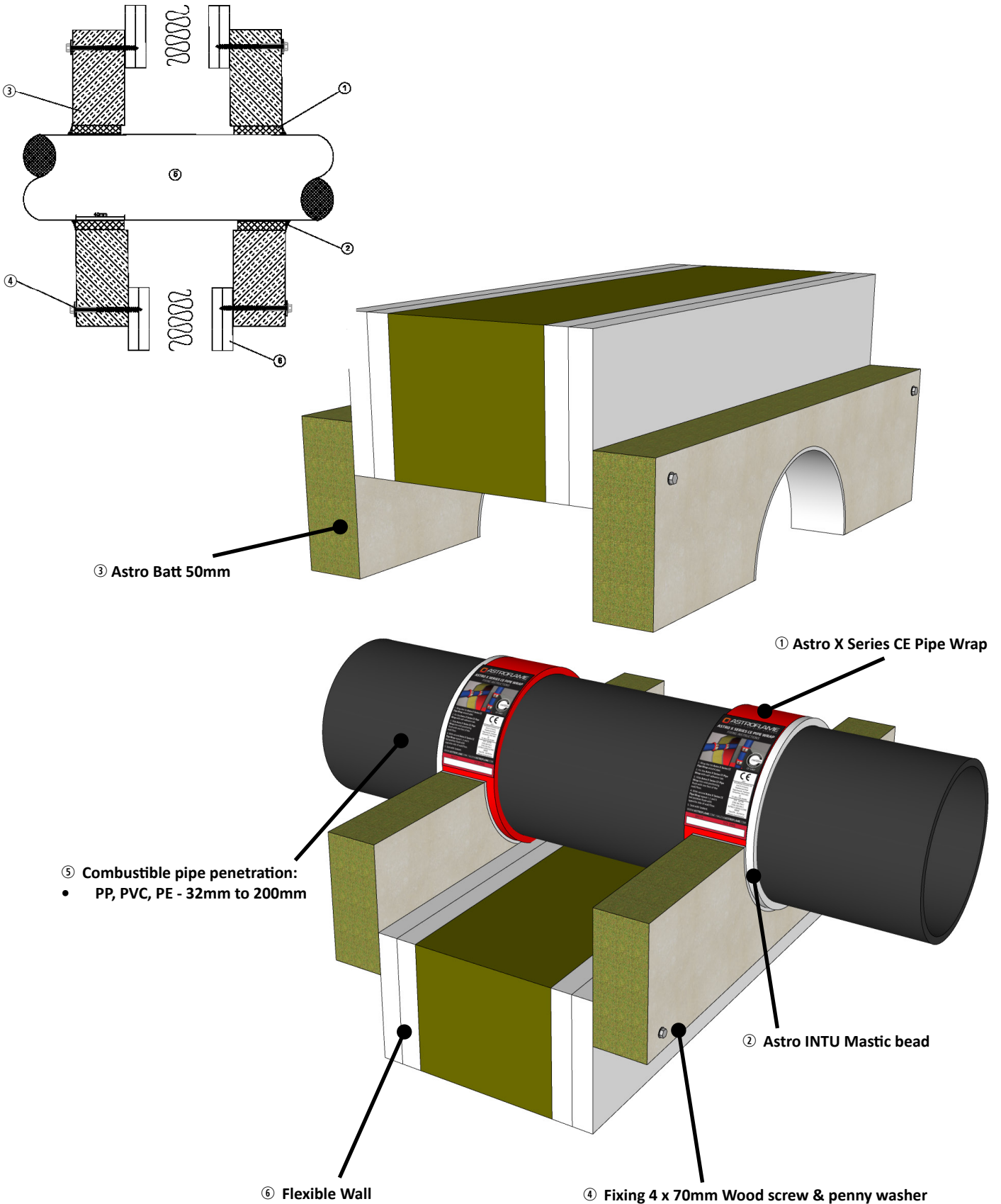


① Astro X Series CE Pipe Wrap

② Astro INTU mastic bead

⑤ Flexible Wall

ASTRO X SERIES CE PIPE WRAP EN 1366-3 IN A ASTRO BATT PATRESS FOR A FLEXIBLE WALL SYSTEM



**3RD PARTY ACCREDITATION
CERTIFIRE CF 5407
HAS BEEN REPLACED BY
UL 3RD PARTY ACCREDITATION
PLEASE **CLICK HERE** FOR CERTIFICATE
OR SCAN THE QR CODE:**



Installation

We have technical representatives who provide assistance in the selection and specification of the products on this site and should be consulted for exact installation and product suitability. Ensure an early engagement with ourselves, designers, main contractor and specialist installers before any installation. Other trades and/or manufacturers may need to be consulted. For in-depth information, specification and technical advice please call our Head Office on tel [01329 844 500](tel:01329844500) or email sales@astroflame.com

Maintenance

All interested parties, designer, specifier, main contractor and specialist installers should provide access to allow the fire stopping seals to be regularly inspected and maintained, as well as records kept of such maintenance at minimum periods of 12 months, as required by the Regulatory Reform Order, and repaired if necessary. Reference should be made to ASFP TGD 17 – Code of Practice for the Installation and Inspection of Fire Stopping.

Competency

It is vital that those entrusted to design or install a fire stopping product have the necessary levels of competence to undertake the task professionally and thoroughly. The level of competency required will be commensurate with the expected complexity of the building. All designers must eliminate, reduce or control foreseeable risks that may arise during installation, construction or maintenance when preparing or modifying designs. Clients should ensure that the principal designer and principal contractor carry out their duties under CDM regulations. The ASFP foundation course in passive fire protection provides essential knowledge as part of demonstrating competency and understanding in this key fire protection specialism.

Additional Notes

Please refer to the ETA/UL-EU sheet for fields of application for this product. For further information on installation requirements please refer to the pipe manufacturer data and wall specification to ensure the compatibility of this product, If in doubt please contact the technical team with services and wall specification on: tel [01329 844 500](tel:01329844500) or email sales@astroflame.com

As part of our policy of ongoing improvements, we reserve the right to modify, alter or change product specifications without giving notice. Product illustrations are representations only. All information contained in this document is provided for guidance only, and as ASTROFLAME (FIRE SEALS) LTD has no control over the specific application or installation methods of the products, or of the prevailing site conditions, no warranties expressed or implied are intended to be given as to the actual performance of the products mentioned or referred to, and no liability whatsoever will be accepted for any loss, damage or injury arising from the use of the information given of products mentioned or referred to herein.

The above information to the best of our knowledge is true and accurate and based upon current test data and is supplied for your guidance only. Customers should satisfy themselves to the suitability of the product based on the products limitation of applications and that the product is fit for purpose for their intended use and no guarantee is given or implied since the conditions of actual use are beyond our control. ASTROFLAME (FIRE SEALS) LTD, disclaim any liability for loss, damage or other expense arising from the use of information, data or products mentioned or referred to and reserve the right to change any details or specifications without notice. If you are in any doubt as to the suitability of this product for your intended application please contact our technical team on 01329 844500 or email sales@astroflame.com and we will contact you.