

TMV3 Mixing Valve

TMV 01



Features and Benefits

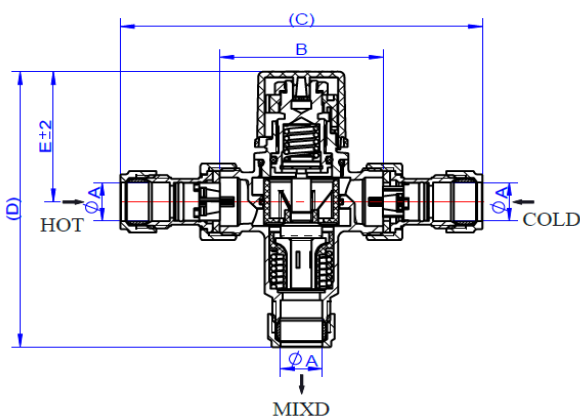
- Cold water supply temperature 5°C - 25°C
- Hot water supply temperature 55°C - 65°C
- Temperature adjustment range 30°C - 50°C
- Factory set thermostatic controller 42°C 0/2°C
- Accuracy of outlet temperature $\pm 2^\circ\text{C}$
- Min. temperature differential 12°C (between hot supply and outlet temp)
- Supply pressure imbalance dynamic 2:1
- Flow rate minimum 5 Litres/min
- WRAS Approved
- Certified to TMV2 and TMV3

Technical Data

- Static Pressure: 10 Bar
- Dynamic Pressure: 5 Bar
- Temperature Adjustment Range: 30°C - 50°C

Stock No and Dimensions

Stock Code	DN Size	A	B	C	D	E
30964	ø15	ø15.1	59	131	108	50.9
30966	ø22	ø22.1	61	155	110	50.9



Material Specifications

No.	Name	Material	QTY.
1	Union nut	CW602N, chrome plated	3
2	Sleeve	CW507L	3
3	Union nut	CW617N, chrome plated	2
4	Pipe Connector	CW602N, chrome plated	2
5	Strainer	Stainless steel	2
6	Check valve	Element, WRAS approved	2
7	Gasket	EPDM, WRAS approved	2
8	Valve body	CW602N, chrome plated	1
9	Spring	Stainless steel	1
10	Water flow directors	PSU	1
11	Thermostat	Subassembly	1
12	O-ring	EPDM, WRAS approved	1
13	Piston	PSU	1
14	Circlip	Stainless steel	1
15	Block	CW602N	1
16	Spring	Stainless steel	1
17	O-ring	EPDM, WRAS approved	1
18	Stem	CW602N	1
19	O-ring	EPDM, WRAS approved	1
20	Bonnet	CW602N, chrome plated	1
21	Locating ring	POM+25%GF	1
22	Locking cap	CW617N	1
23	Cap	ABS	1

