

# TMV3 Mixing Valves with Service Valve

## TMV 01SV



### Features and Benefits

- Cold water supply temperature 5°C - 25°C
- Hot water supply temperature 55°C - 65°C
- Temperature adjustment range 30°C - 50°C
- Factory set thermostatic controller 42°C 0/2°C
- Accuracy of outlet temperature  $\pm 2^\circ\text{C}$
- Min. temperature differential 12°C (between hot supply & outlet temp)
- Supply pressure imbalance dynamic 2:1
- Flow rate minimum 5 Litres/min
- WRAS Approved
- Certified to TMV2 and TMV3

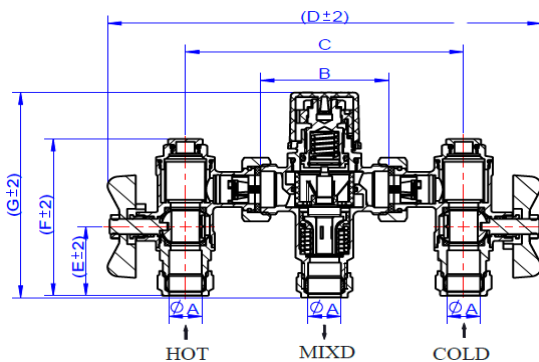
**Approvals:** TMV2 NSF2254/012 and TMV3 NSF2255/0120

### Technical Data

- Static Pressure: 10 Bar
- Dynamic Pressure: 5 Bar
- Temperature Adjustment Range: 30°C - 50°C

### Stock No and Dimensions

Stock Code	DN Size	A	B	C	D	E	F	G
30962	ø15	ø15.1	59	128	200	36	82	108
30963	ø22	ø22.1	61	129	201	38	86	110



### Material Specifications

No.	Name	Material	QTY.
1, 9,	Lever	Aluminium alloy (RAL3020)	2
2, 19	Union nut	CW602N, chrome plated	5
3	Sleeve	CW507L	3
4, 15, 34	Bonnet	CW602N, chrome plated	5
5	Seat	PTFE, WRAS approved	4
6	Ball	CW602N, chrome plated	2
7	Body	CW602N, chrome plated	2
8	Locknut	Steel, dacromet plated	2
10	Packing nut	CW617N	2
11	Packing	PTFE, WRAS approved	2
12, 32	Stem	CW602N	3
13	Screen	Stainless steel	2
14, 16, 26, 31, 33	O-ring	EPDM, WRAS approved	7
17	Plug	CW602N, chrome plated	2
18	Check valve	Element, WRAS approved	2
20, 28	Circlip	Stainless steel	3
21	Gasket	EPDM, WRAS approved	2
22	Valve body	CW602N, chrome plated	1
23, 30	Spring	Stainless steel	2
24	Water flow directors	PSU	1
25	Thermostat	Subassembly	1
27	Piston	PSU	1
29	Block	CW602N	1
35	Locating ring	POM+25%GF	1
36	Locking cap	CW617N	1
37	Cap	ABS	1

