

Wafer Pattern Metering Station Orifice COM 02

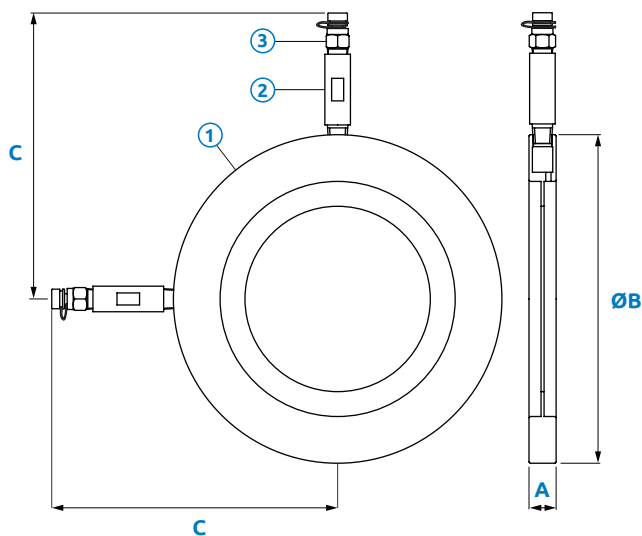
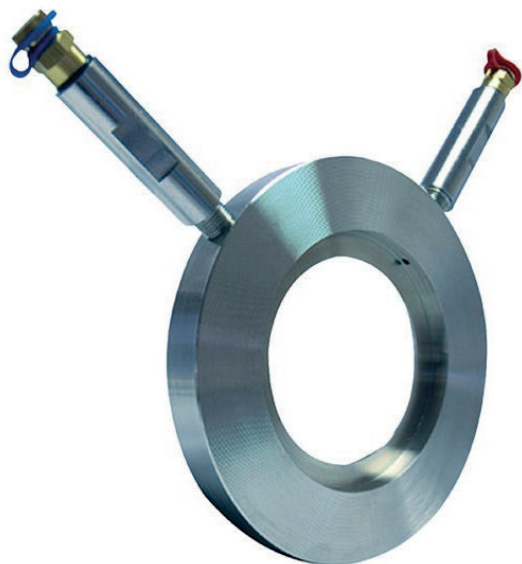


Technical Data

- Max. Pressure: 16 bar
- Working Temp: -10 to 120°C

Applicable Standards

- Fits between BS EN1092 flanges PN16
- Flow characteristic confirmed to BS 7350



Features and Benefits

- Stainless Steel Metering Station
- Fixed Orifice. C/W Ext & Test Points
- Wafer pattern
- Fixed orifice with $\pm 5\%$ flow measurement accuracy
- Can be close coupled to a double regulating valve
- Supplied with 2 extensions and test points

Material Specifications

NO	NAME	MATERIAL
1	Body	Stainless Steel 304
2	Extension	Stainless Steel 304
3	Pressure Test Point	Brass Hpb59-1

Product Codes and Dimensions

STOCK NO.	DN	A	B	C	Kgs	Kv (m ³ /hr)	Kv signal*
38773	50	20	108	136	1.3	71.6	57
38918	65	20	127	144	1.8	145.5	104
38919	80	20	144	153	2.1	219.0	137
38920	100	20	164	164	2.5	386.0	241
38921	125	20	194	178	3.0	572.0	345
38922	150	20	220	192	3.4	807.0	516
38774	200	20	275	219	4.5	1416	863
38775	250	20	333	248	6.0	1975	1218
38776	300	20	385	274	8.0	2990	1794

* Kv signal used when calculating flow rate via differential pressure measurement across tappings